

# USER MANUAL

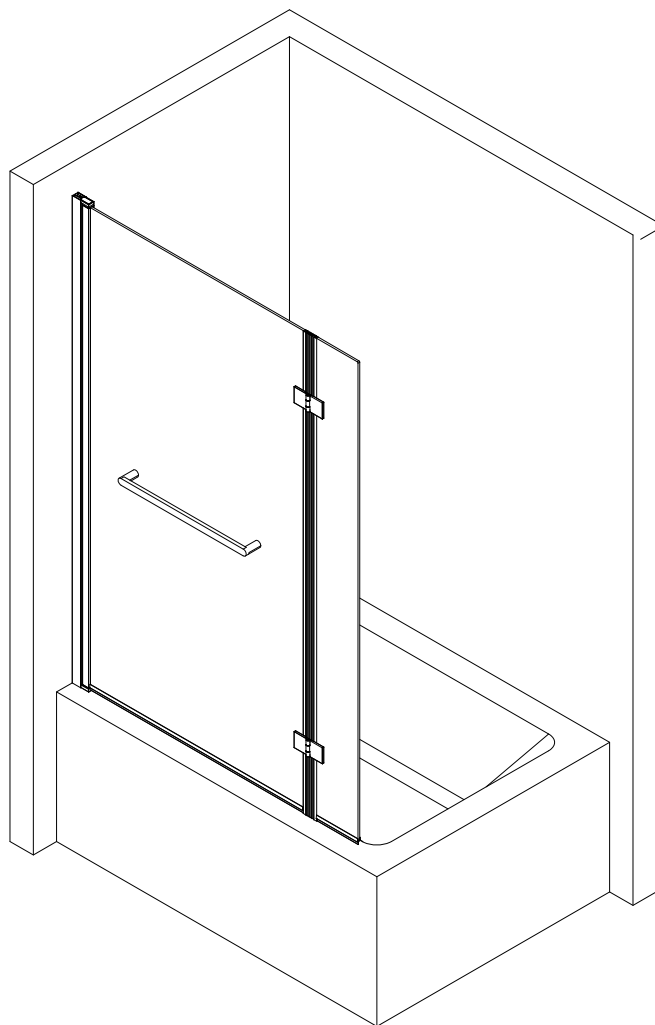


Thank you for choosing Better Bathrooms.  
Please read this manual before installing your product  
and keep for future reference.

**better  
bathrooms**

## Lomax L Shape 6mm Bath Screen with Towel Rail

LOMACHSCTR / LOMAMBSCTR



- **Multi-person assembly**
- **Tools required**
- **We always recommend using professional tradespeople to install your product**

V1\_20.12.23

# Congratulations on your purchase

*And welcome to our growing gang of savvy shoppers*

We're on a mission to bring you extraordinary bathroom products, for less. From modern to traditional style ceramics, plus the gorgeous fixtures, fittings and furniture to match. So, you can fall in love with your space every single day.

As one of the UK's largest independent bathroom stores, we've received countless awards; including the National Business Awards UK, the Digital Entrepreneur Awards and being placed on The Sunday Times Fast Track 100.

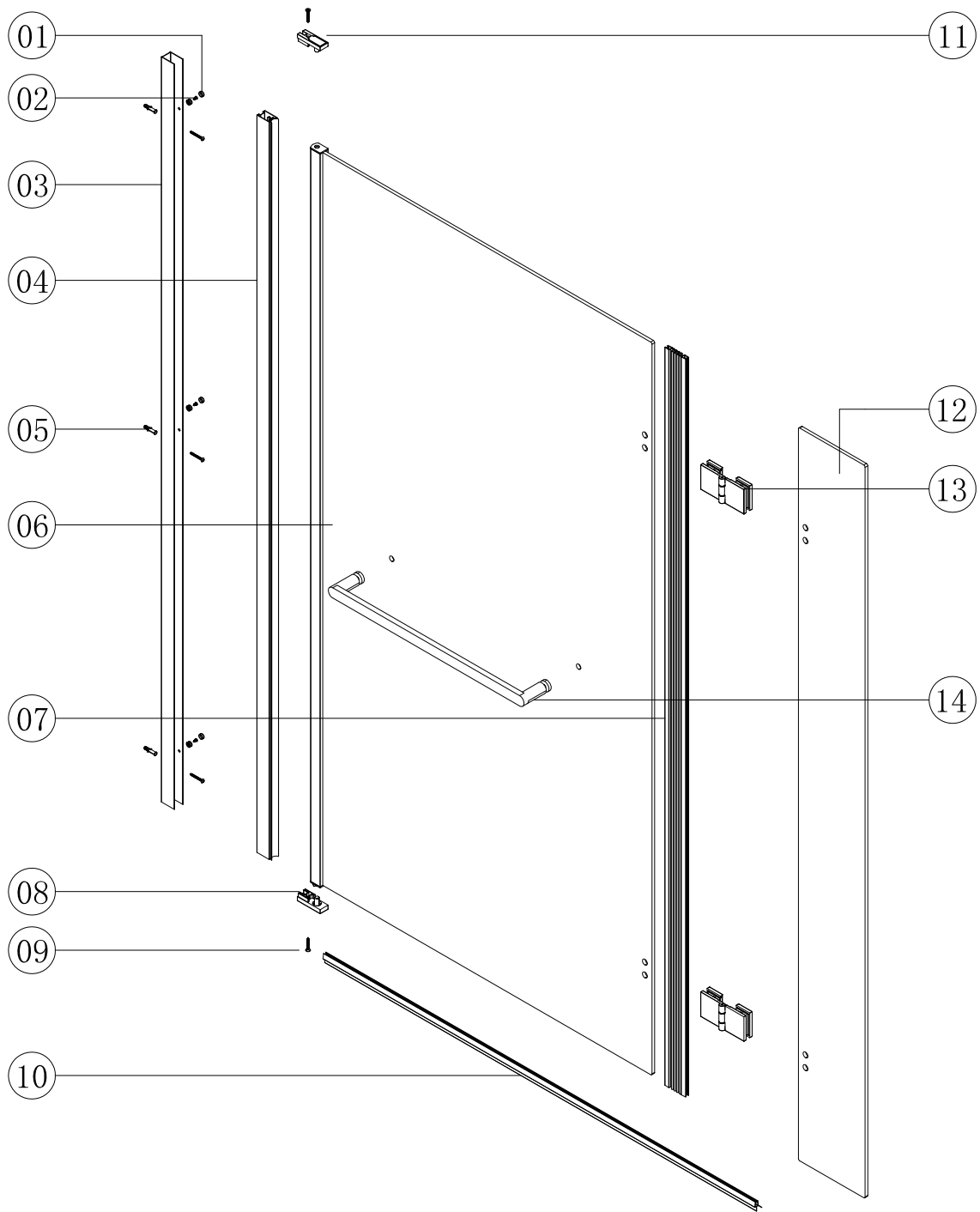
We hope your new product goes above and beyond your expectations. However, should any problems occur, please:

- log in to your account and contact our customer services team via your self-serve portal – [betterbathrooms.com/Account/Login](https://betterbathrooms.com/Account/Login)
- contact us via [betterbathrooms.com/content/contact-us](https://betterbathrooms.com/content/contact-us)




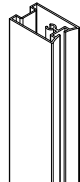
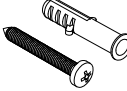

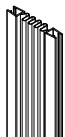
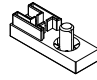


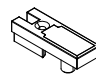
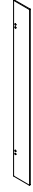
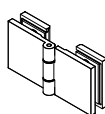
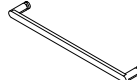
## Important information

- Please read these instructions thoroughly and retain for future reference
- Always check for pipes and cables before drilling
- Check for damage prior to installation as reporting after installation is not covered

# Technical Drawing



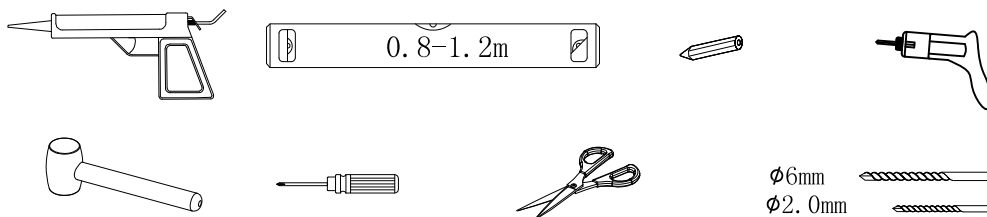
# Component Listing

<p>01</p>  <p>3Pcs</p>	<p>02</p>  <p>ST3.5*9 3Pcs</p>	<p>03</p>  <p>1Pc</p>	<p>04</p>  <p>1Pc</p>	<p>05</p>  <p>ST4.2*35 3Pcs</p>	<p>06</p>  <p>1Pc</p>
<p>07</p>  <p>1Pc</p>	<p>08</p>  <p>1Pc</p>	<p>09</p>  <p>ST3.5*25 2Pcs</p>	<p>10</p>  <p>1Pc</p>	<p>11</p>  <p>1Pc</p>	<p>12</p>  <p>1Pc</p>
<p>13</p>  <p>2Pcs</p>	<p>14</p>  <p>1Pc</p>				

## Safety Notice:

Prior to drilling into walls, check there are no hidden electrical wires, cables or water supply pipes. Always wear protective equipment such as safety glasses and hearing protection whilst using power tools.

## Tools required (Tools not provided)

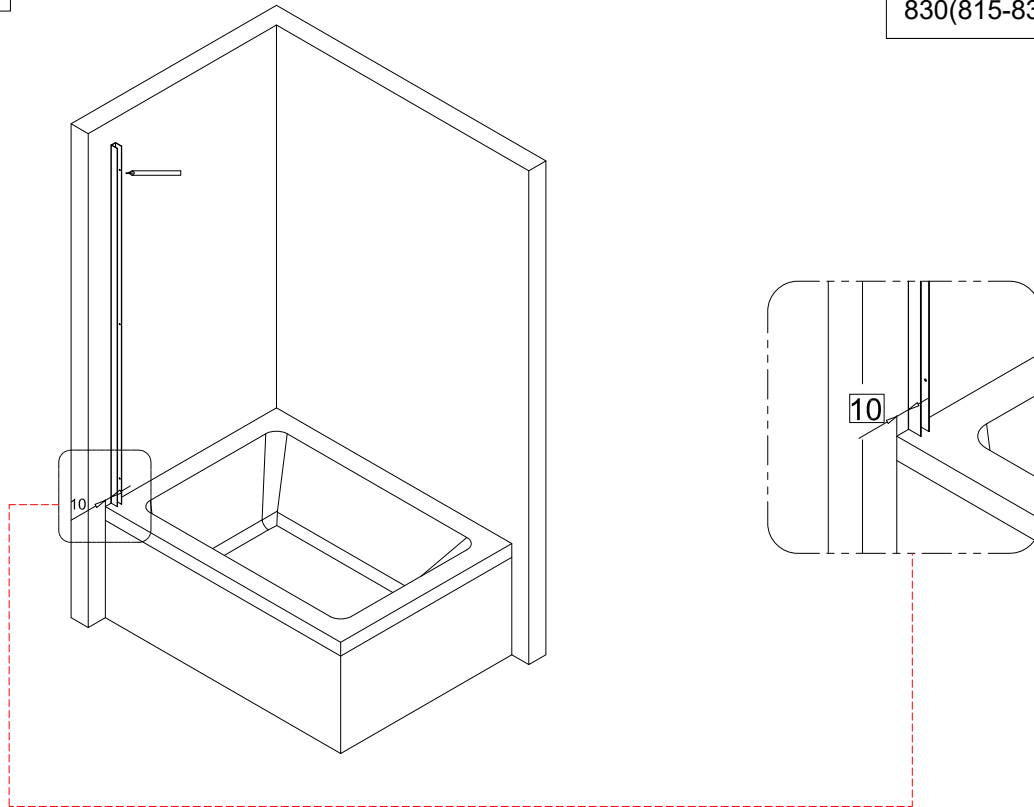


# Installation Instructions

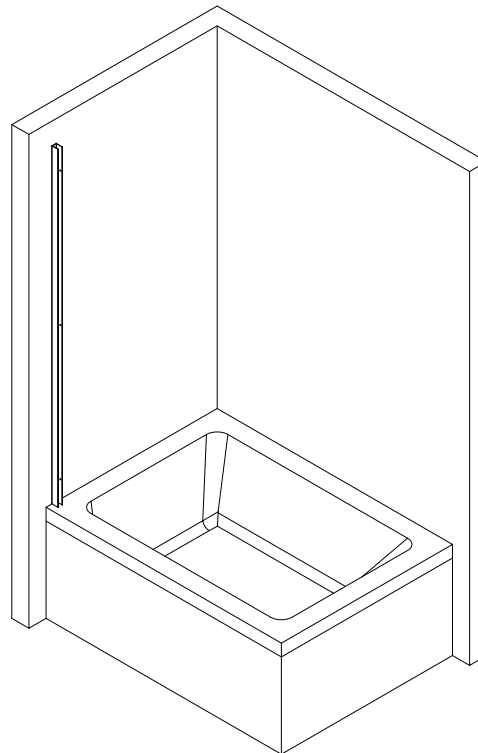
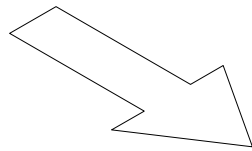
1.

size of Bath Screen

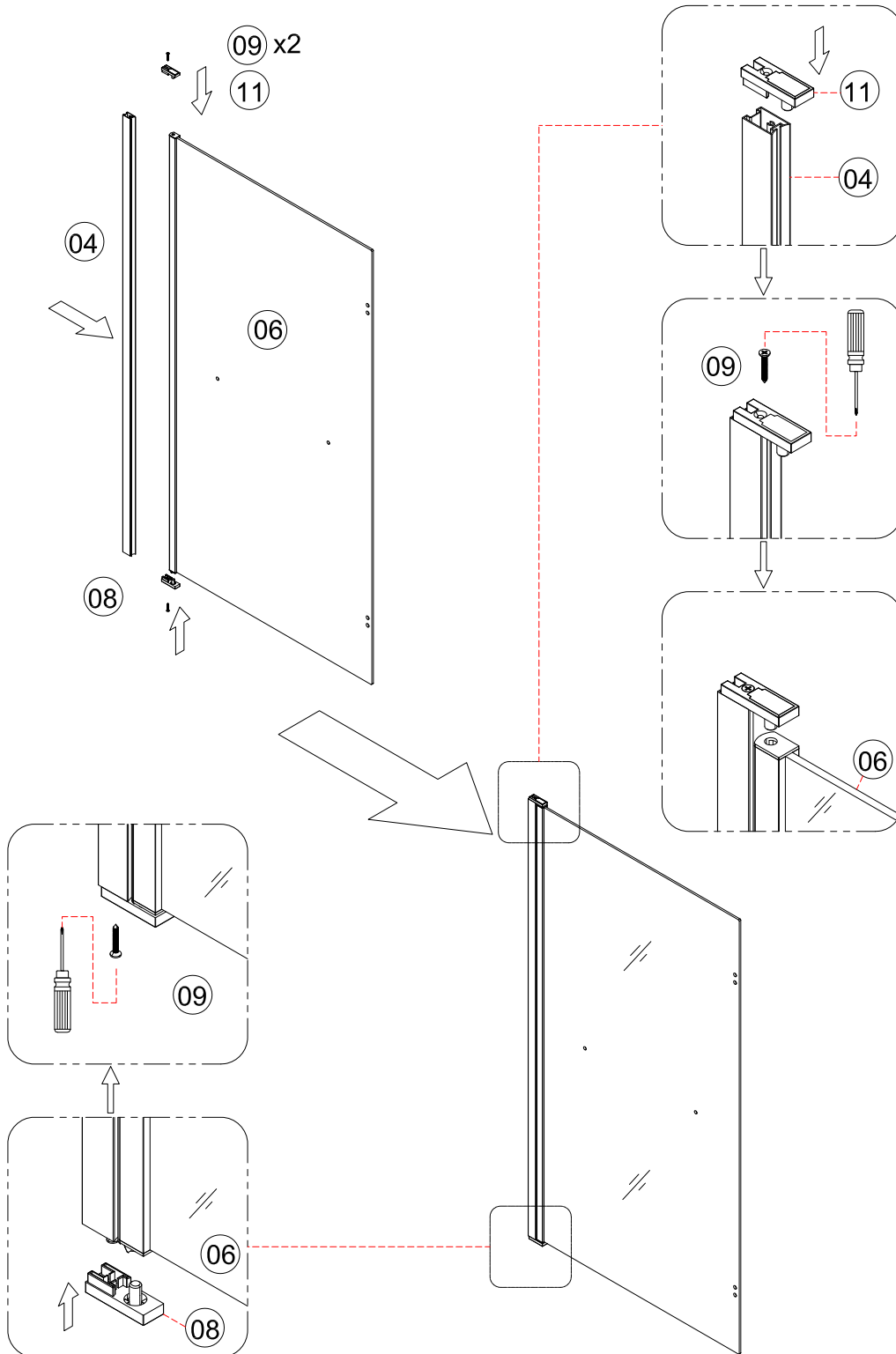
830(815-830)x1450mm



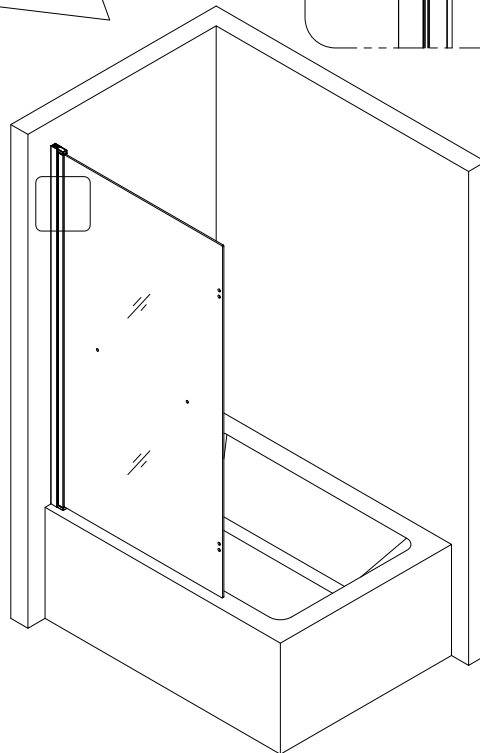
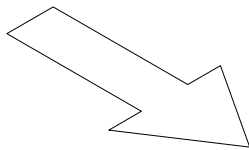
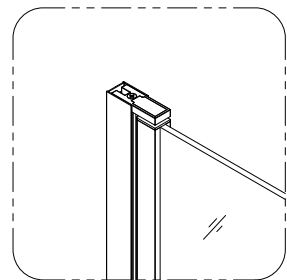
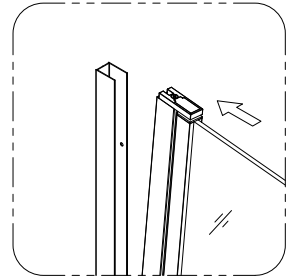
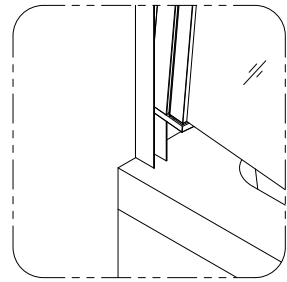
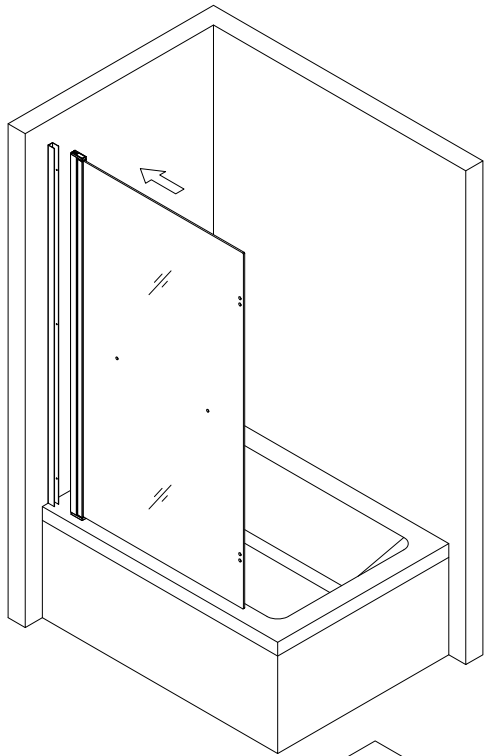
1-1	 ③
1-2	 Ø6x40mm
1-3	 ⑤x3
1-4	 ⑤x3



2.



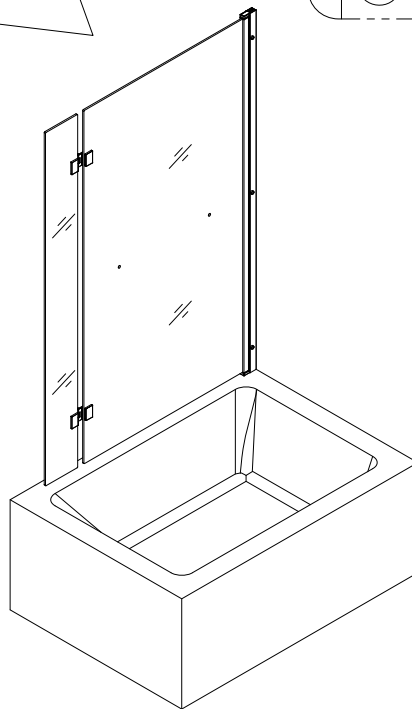
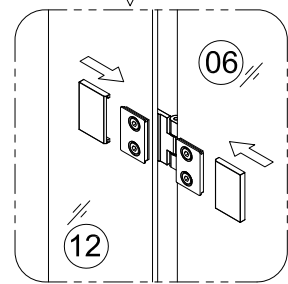
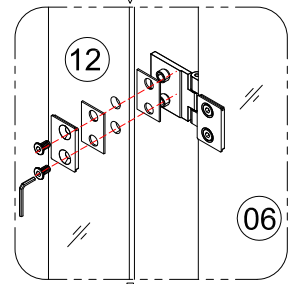
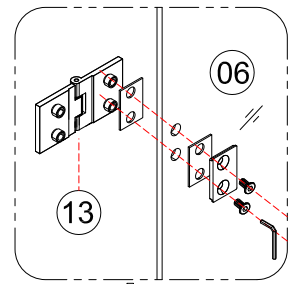
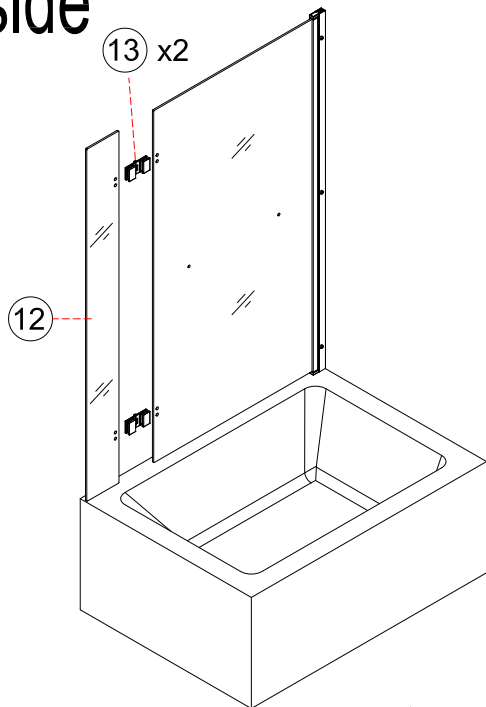
3.



3-1	
3-2	
3-3	
3-4	

4.

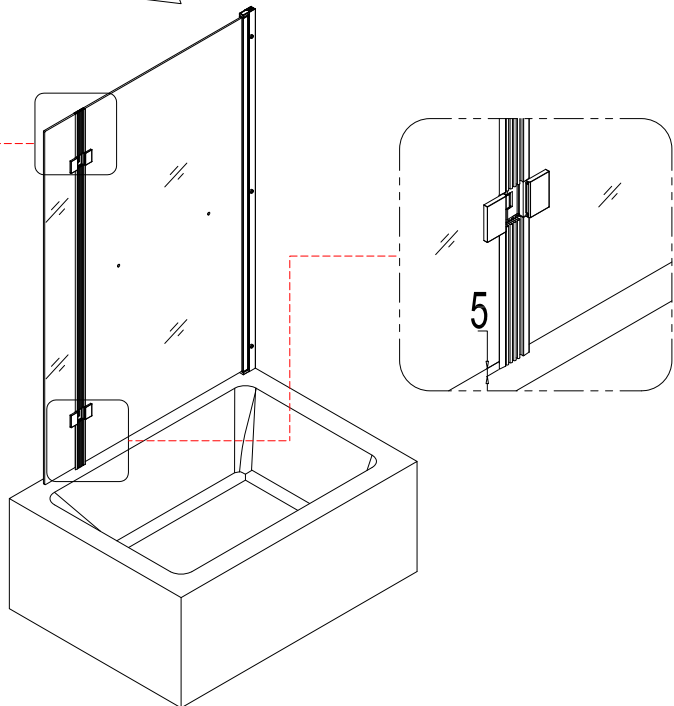
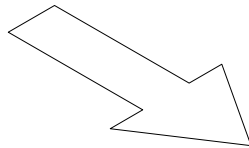
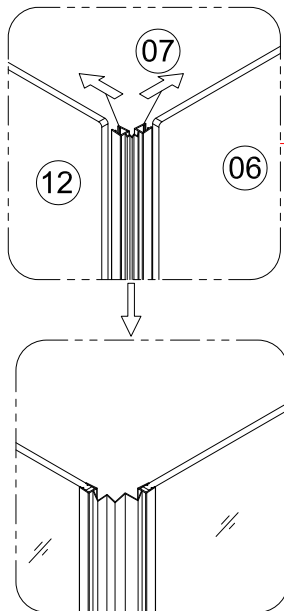
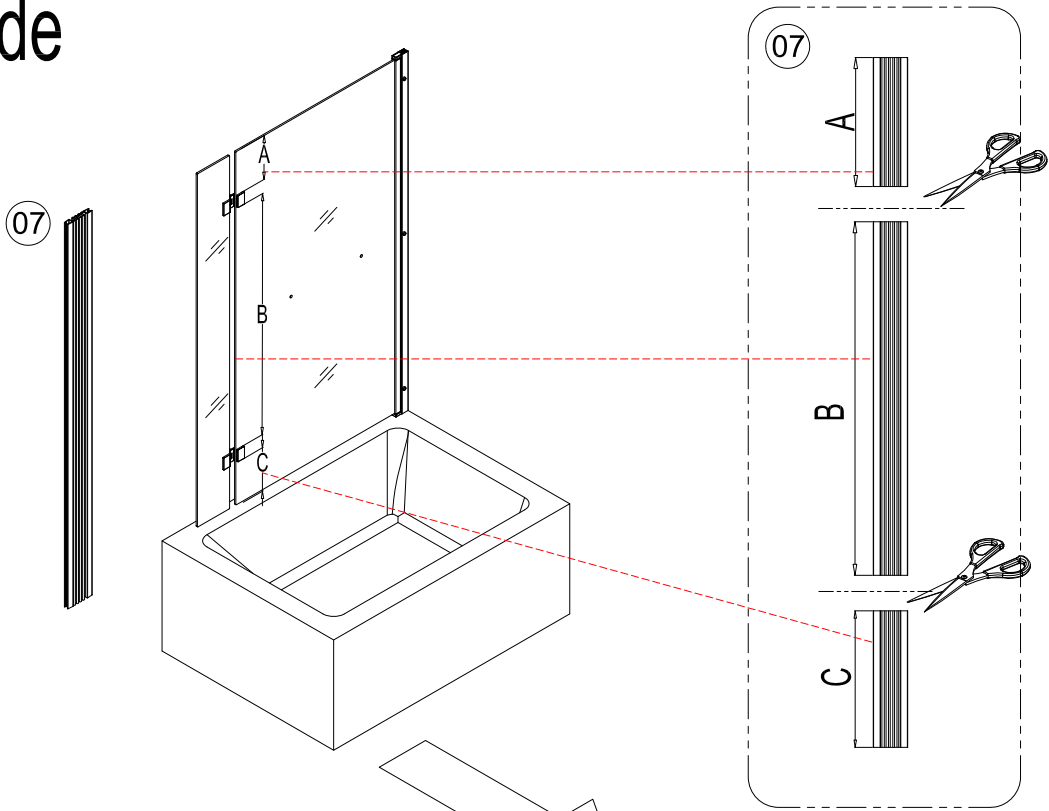
inside



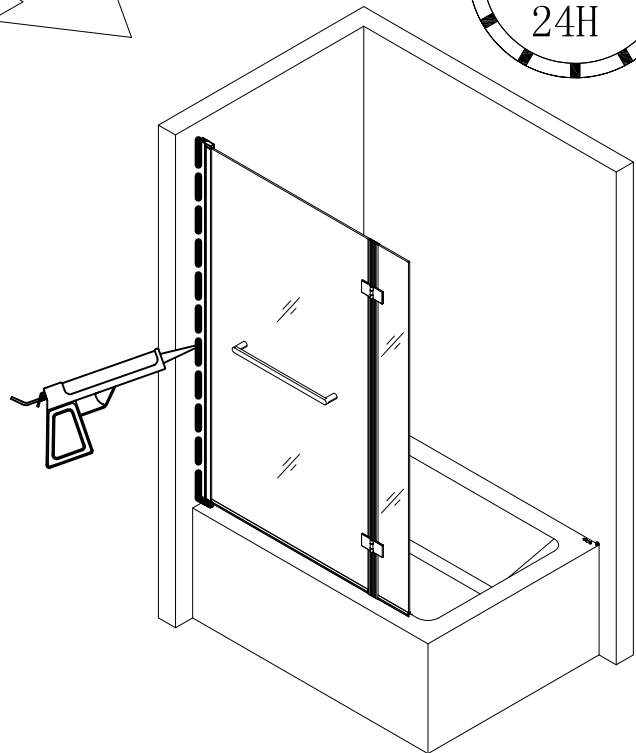
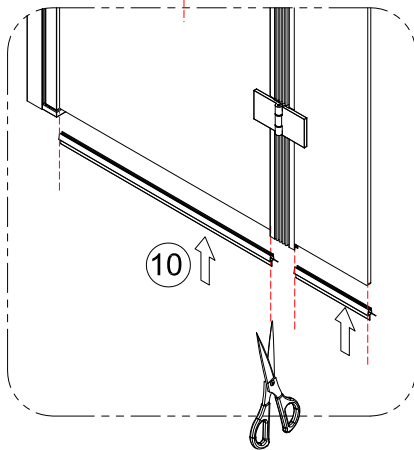
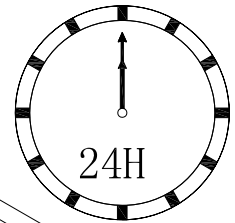
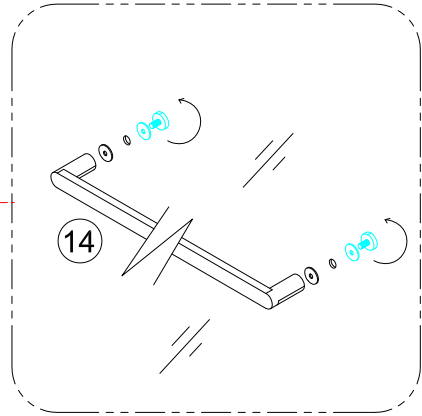
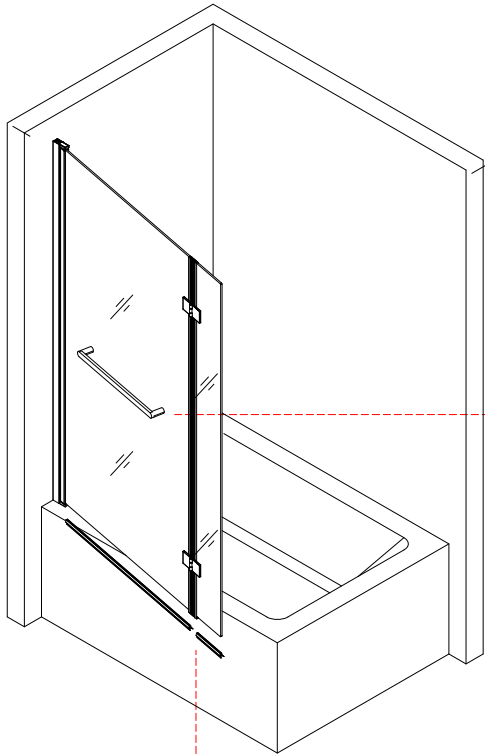


5.

inside



6.



Care Instructions:  
Do not use your shower enclosure within 24 hours of assembly. Do not use caustic cleaning products or abrasive material when cleaning your shower enclosure .

## Cleaning

**All parts of the product shall be cleaned with a cloth soaked in neutral detergent soapy water, Please do not use sharp tools such as blades to clean the shower door.**

**Please do not use strong detergent, alcohol or any abrasive cleaning substances to clean the shower door if the stain is serious, a low concentration of vinegar can be used, but must be rinsed with clean water afterwards.**

### ***For more information***

- visit [betterbathrooms.com](http://betterbathrooms.com)
- email [customerservices@buyitdirect.co.uk](mailto:customerservices@buyitdirect.co.uk)
- call 0330 390 3062
- write to Trident Business Park, Neptune Way, Huddersfield, HD2 1UA

**better  
bathrooms** 

Part of the BuyItDirect Group